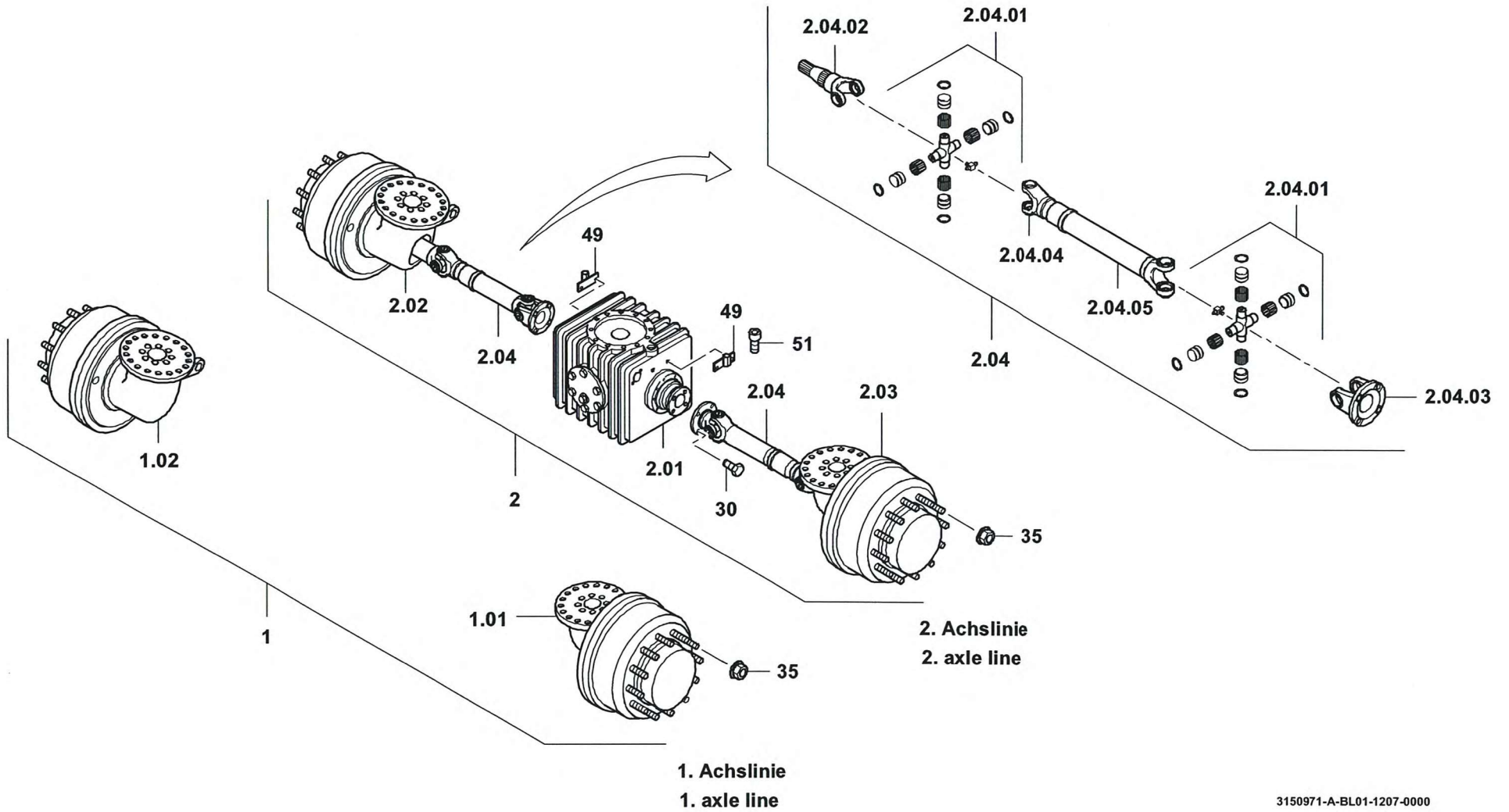


GROVE

ACHSANBAU 10 X 8 X 10
 AXLE ATTACHMENT 10 X 8 X 10

BILDTAFEL PICTORIAL DISPLAY			GMK 5095 BE 505 G 061
12.07	3150971-ETL A	1/4	



GROVE

ACHSANBAU 10 X 8 X 10
 AXLE ATTACHMENT 10 X 8 X 10

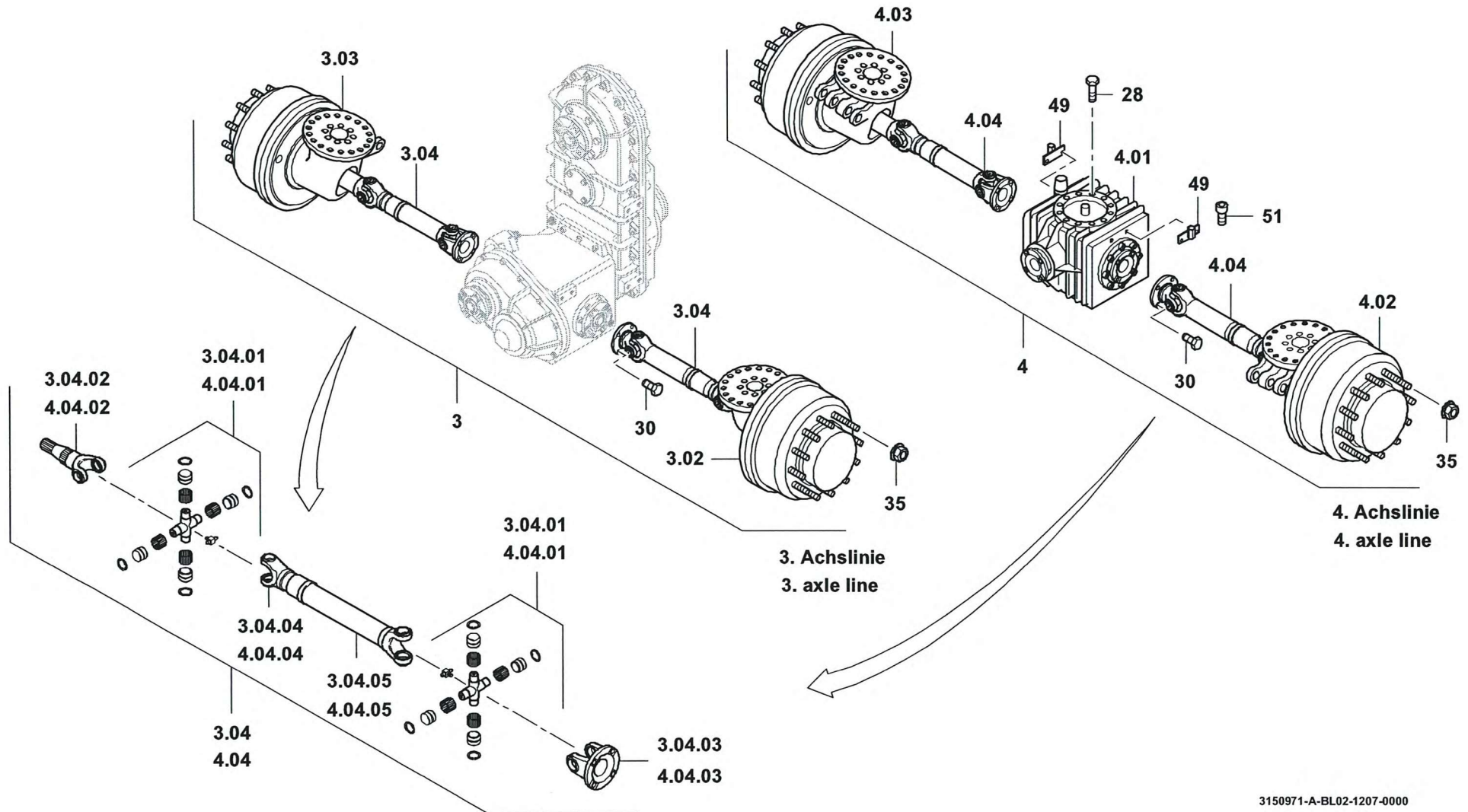
BILDTAFEL
 PICTORIAL DISPLAY

12.07

3150971-ETL A

2/4

GMK 5095
 BE 505
 G 061



GROVE

ACHSANBAU 10 X 8 X 10
 AXLE ATTACHMENT 10 X 8 X 10

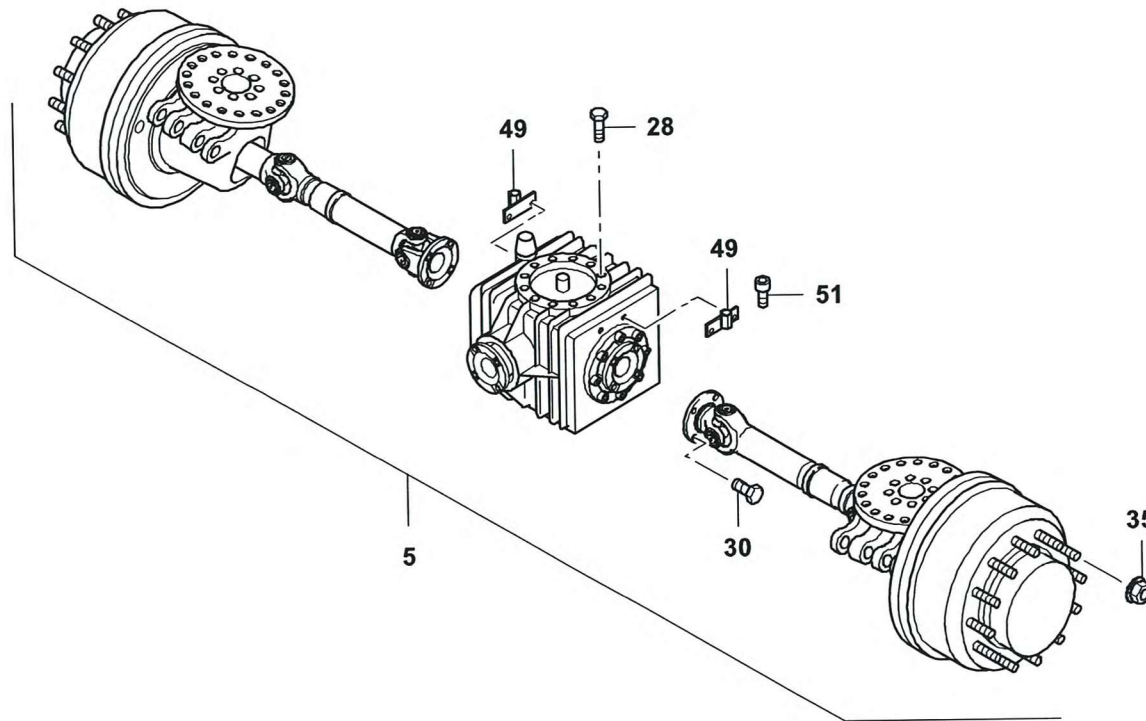
BILDTAFEL
 PICTORIAL DISPLAY

12.07

3150971-ETL A

3/4

GMK 5095
BE 505
G 061



5. Achslinie
5. axle line

GROVE

ACHSANBAU 10 X 8 X 10
 AXLE ATTACHMENT 10 X 8 X 10

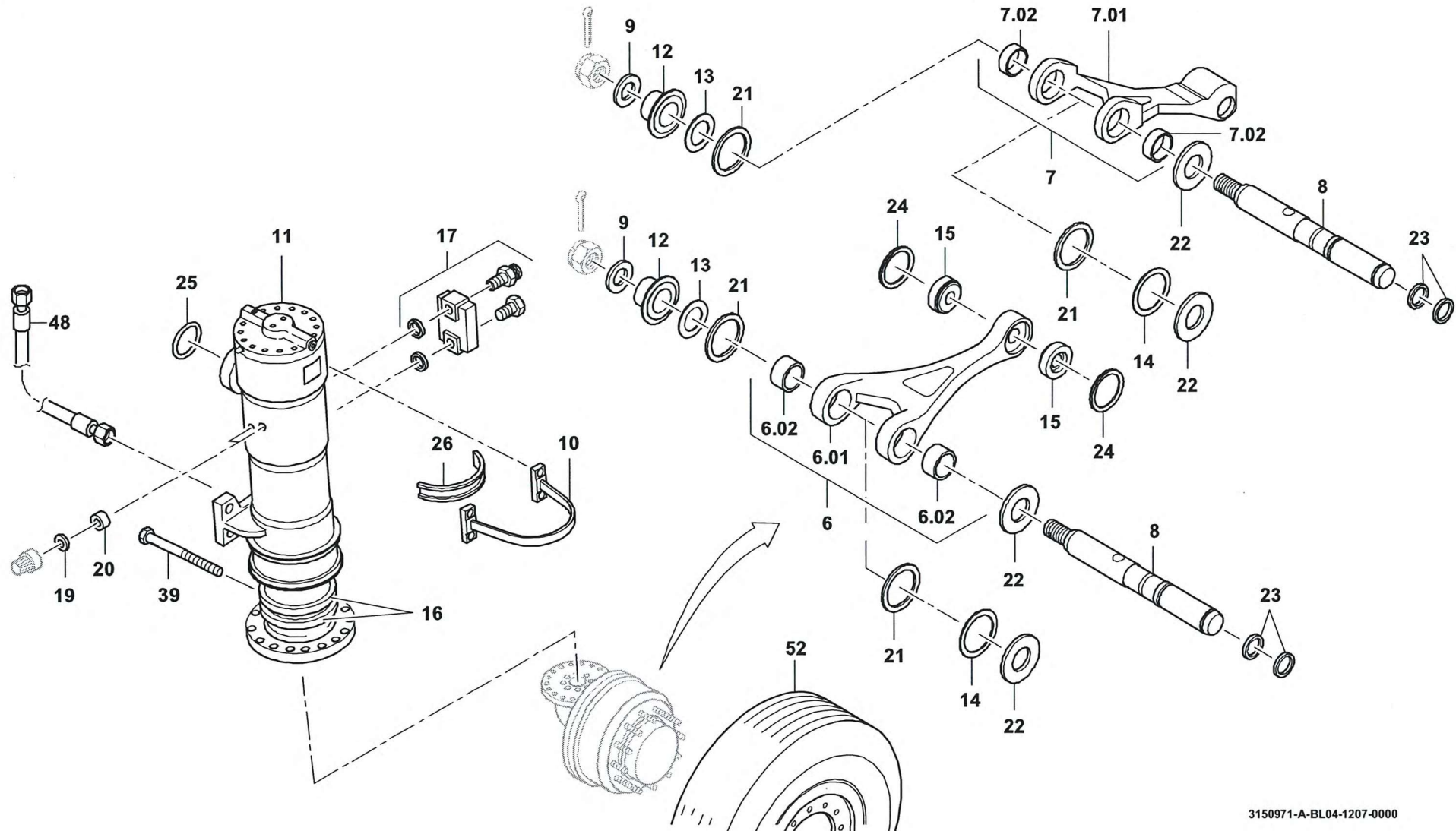
BILDTADEL
 PICTORIAL DISPLAY

12.07

3150971-ETL A

4/4

GMK 5095
 BE 505
 G 061



3150971-A-BL04-1207-0000